



Description

The Model 53 Hour Meter with 7 LCD digits, 999999.9, and internal lithium battery, is ideal for applications requiring time accumulation for maintenance scheduling, warranty monitoring, lease time or fee computation. Applications include test equipment, panel builders, mobile equipment and medical devices. A choice of time ranges, in hours, minutes or seconds provides the user with a wide choice of recording increments.

Features

- Lithium battery
- Choice of manual reset, remote reset or non-reset
- Switch (no-voltage), 3-30VDC, 20-250VAC/VDC

Options

- Termination
- Case color
- Private labeling
- Mounting adapter plates
- 5003-001S - gasket
- Low AC voltage (4-30 VAC)

Specifications

Figures: 7 LCD figures, 0.32" [8mm] high
Reset: Remote, manual, and non-reset
Inputs: Switch (no-voltage), 3-30VDC, 20-250VAC/VDC (50/60Hz)
 Vih* 20VAC/3VDC minimum
 Vil* 3VAC/1VDC maximum
Power: Self-powered (internal lithium battery)
Mounting: Panel with clip
Terminations: Terminal block, or connector - 8" [200mm] wire leads
Weight: 2 oz. [57g]
Battery Life: ~20years
Accuracy: Quartz accuracy (better than 0.01%)
Approvals: UL Recognized, CSA Certified, CE Compliant

Temperature
Operating: -4°F to +140°F [-20°C to +60°C]
Storage: -40°F to +165°F [-40°C to +75°C]
Humidity: 0 to 95% RH, non-condensing
Vibration
Operating: 10 to 55Hz, 0.01" [0.25mm] double amplitude
Non-Operating: 10 to 55Hz, 0.03" [0.75mm] double amplitude
Shock
Operating: 10G
Non-Operating: 30G
Dielectric: 1000VAC 50/60Hz for 1 minute

Note: When interfacing the Model 53 with a Solid State Relay or AC Sensor, the leakage current need to be considered. Contact the factory or see the application note at www.redingtoncounters.com for further information.

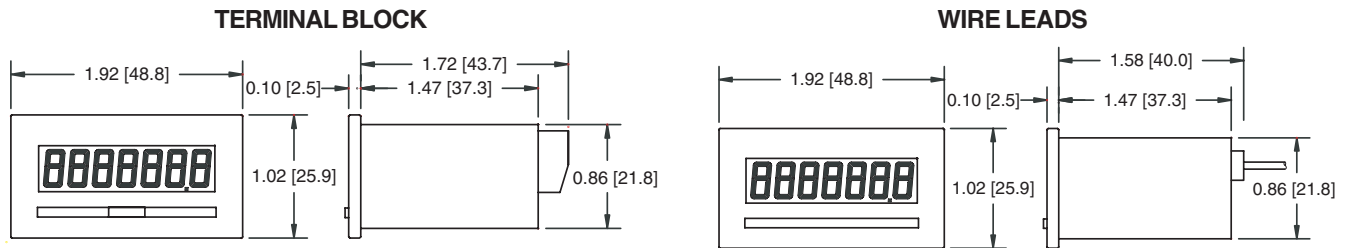
Models

Part#	Function			Reset			Input			Terminations		Color	
	hours	min.	sec.	remote	none	manual	switch	3-30VDC	20-250VAC/VDC	term. block	8" wire leads	tan	black
5320-0000	X			X			X			X		X	
5320-0001	X			X			X			X			X
5321-0000		X		X			X			X		X	
5321-0001		X		X			X			X			X
5322-0000			X	X			X			X		X	
5322-0001			X	X			X			X			X
5320-0100	X			X		X	X			X		X	
5320-0101	X			X		X	X			X			X
5320-1000	X			X				X		X		X	
5320-1001	X			X				X		X			X
5320-1010	X			X				X			X	X	
5320-1011	X			X				X			X		X
5320-1100	X			X		X		X		X		X	
5320-2000	X			X					X	X		X	
5320-2001	X			X					X	X			X
5320-2200	X				X				X	X		X	
5320-2201	X				X				X	X			X
5320-2100	X			X		X			X	X		X	

* Items in bold are normally in factory stock.

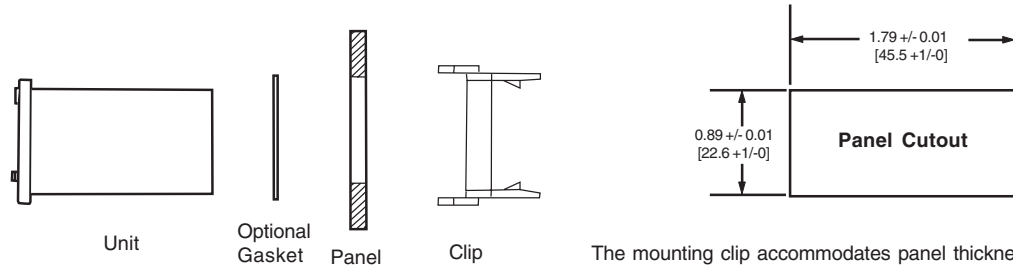


Dimensions



Operating Instructions

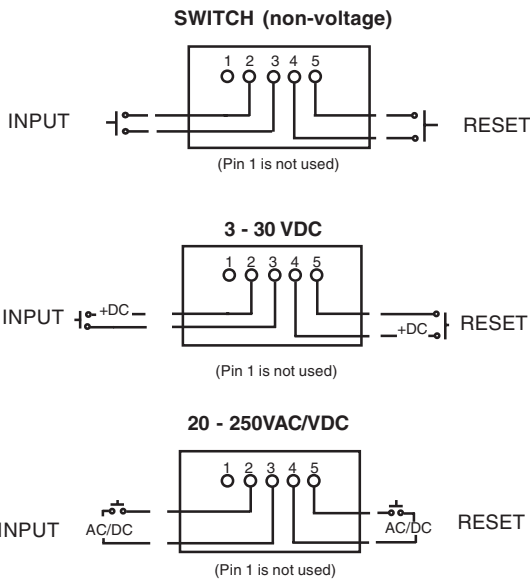
MOUNTING:



The mounting clip accommodates panel thicknesses up to 1/4" [6.4mm].

Panel adapter plates are available in flush and 2 hole mount to fit various panel cutouts. Consult the factory for availability.

WIRING:



Color code for the 8" [203mm] lead wires (24AWG) are:

- 1 - Yellow
- 2 - Blue
- 3 - Black
- 4 - Violet
- 5 - Gray

Terminal block will accept wire sizes from 14 to 24AWG.

3 - 30VDC units are protected for transient voltages up to 50 volts with pulse widths of up to 1 second at a 1% duty cycle (including reverse polarity).

The operating AC frequency range is 40 to 400Hz.

NOTES:

All resettable hour meters can be reset by a pulse with a minimum duration of 6 milliseconds.

SPECIAL WIRING OPTION

There is an internal connection between pin 3 and pin 5, a single wire can be used by connecting it to either pin 3 or pin 5. This option **does not** apply for units with input of 20 - 250VAC/VDC or manual reset enable.

OPTIONAL INPUTS:

Optional control circuitry (such as transistors) may be used as inputs provided that such circuitry provides the required parameters of the model used.

Applications

Medical Equipment



Test Equipment



Office Equipment

